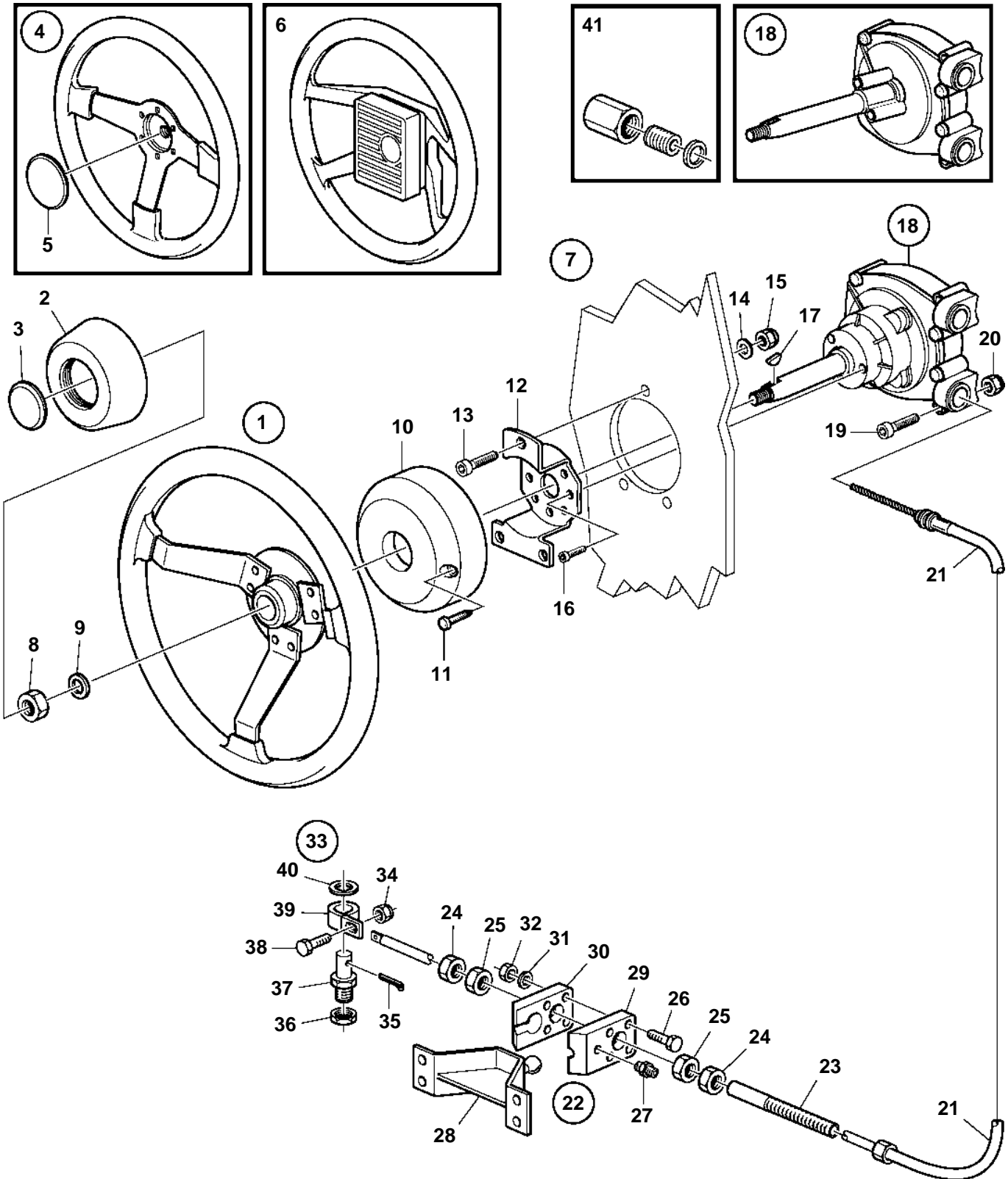


D1-13, D1-20, D1-30, D2-40



D1-13, D1-20, D1-30, D2-40

REF	PART NO.	QTY	DESCRIPTION	NOTES
1	850936	1	Steering wheel	
2		1	· Steering wheel pad	
3	1140660	1	· Steering wh emblem	(850938)
4	3843317	1	Steering wheel	
5		1	· Emblem	
6	1140334	1	Steering wheel	
	1140335		Steering wheel	
7	3818096	1	Mounting kit	70° BLACK
	3818098	1	Mounting kit	90° BLACK
	3883508	1	Mounting kit	70° WHITE
	3883509	1	Mounting kit	70° BLACK
8	971084	1	· Lock nut	
9	955897	1	· Washer	
10		1	· Cover	90°
		1	· Cover	70°
11	969476	2	· Screw	
12		1	· Bracket	90°
		1	· Bracket	70°
13	959226	3	· Allen head screw	
14	976944	3	· Washer	
15	946036	3	· Lock nut	
16	959220	3	· Screw	
17	160807	1	· Key	
18	3818019	1	Steering box	STD, FIXED WHEEL
	3818023	1	Steering box	NO FEEDBACK, FIXED WHEEL
19	955278	2	· Screw	
20	963105	2	· Nut	
21	3840244	1	Steering cable	L=2,00m
	3840245	1	Steering cable	L=2,25m
	3840246	1	Steering cable	L=2,50m
	3840247	1	Steering cable	L=2,75m
	3840248	1	Steering cable	L=3,00m
	3840249	1	Steering cable	L=3,25m
	3840250	1	Steering cable	L=3,50m
	3840251	1	Steering cable	L=3,75m
	3840252	1	Steering cable	L=4,00m
	3840253	1	Steering cable	L=4,25m
	3840254	1	Steering cable	L=4,50m
	3840255	1	Steering cable	L=4,75m
	3840256	1	Steering cable	L=5,00m
	3840257	1	Steering cable	L=5,25m
	3840258	1	Steering cable	L=5,50m
	3840259	1	Steering cable	L=5,75m
	3840260	1	Steering cable	L=6,00m
	3840261	1	Steering cable	L=6,25m
	3840262	1	Steering cable	L=6,50m
	3840263	1	Steering cable	L=6,75m
	3840264	1	Steering cable	L=7,00m
	3840265	1	Steering cable	L=7,25m
	3840266	1	Steering cable	L=7,50m
	3840267	1	Steering cable	L=7,75m
	3840268	1	Steering cable	L=8,00m
	3840270	1	Steering cable	L=8,25m
	3840272	1	Steering cable	L=8,50m
	3840273	1	Steering cable	L=8,75m
	3840274	1	Steering cable	L=9,00m
22	853290	1	Stern attachment	
23	850771	1	· Anchorage	
24	850778	2	· Nut	
25	853306	2	· Nut	
26	940101	2	· Screw	
27	951739	1	· Lubricating nipple	
28	851093	1	· Bracket	

7746500 - 64 - 9308

22681

Upd: 23 MAR 2006

D1-13, D1-20, D1-30, D2-40

